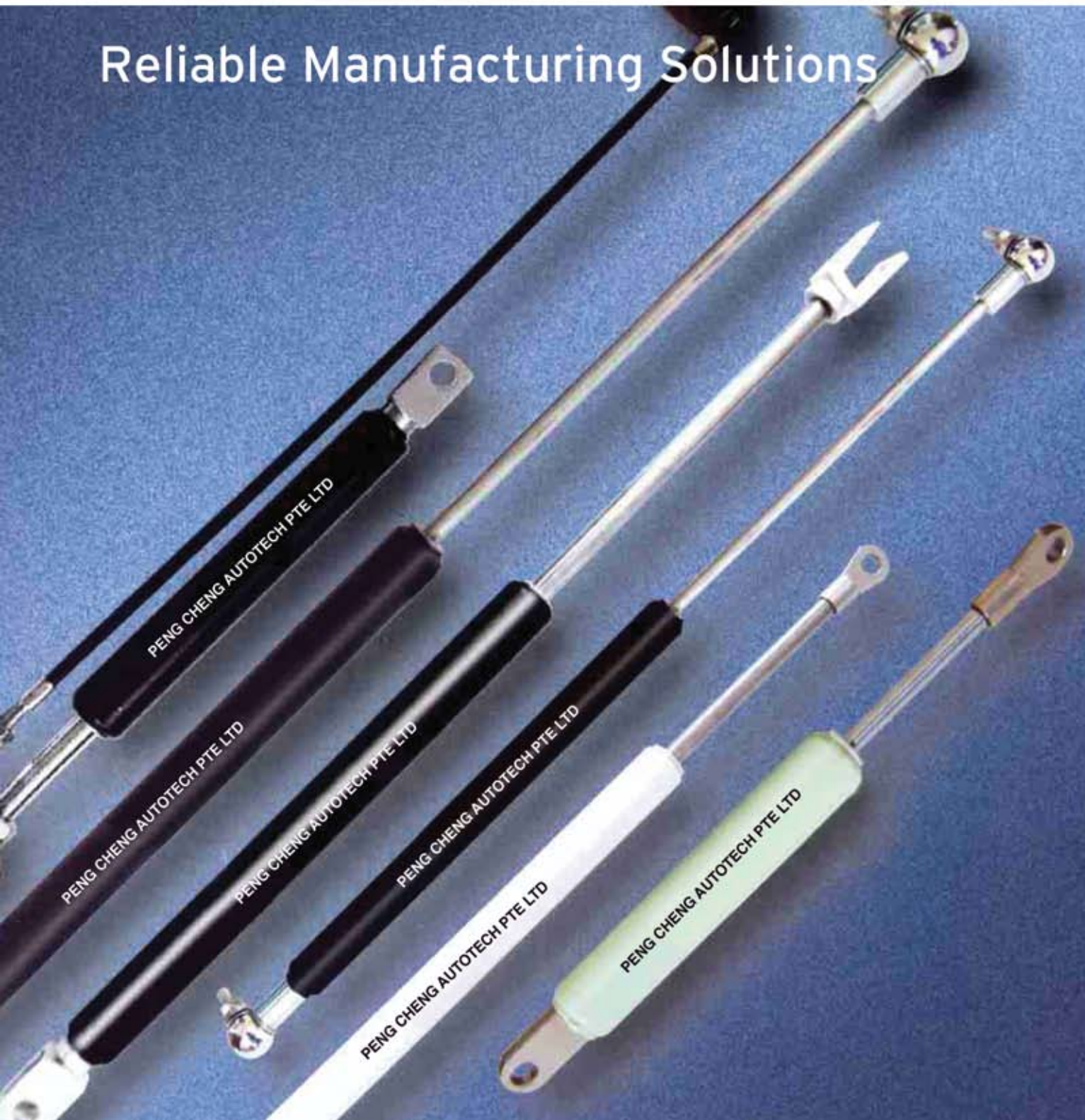




GAS SPRING

Reliable Manufacturing Solutions



GAS SPRING

Reliable Manufacturing Solutions



About Peng Cheng AutoTech Pte Ltd

Peng Cheng AutoTech Pte Ltd is a reliable lifting solution provider. We specialized in Manufacturing of Gas Spring. Our products adopt the advance Aero-Industrial manufacturing technology to achieve the perfect quality to give you reliability on the next level.

Our company carries a wide variety of Gas Spring. Include custom solutions applied in lifting and reversing equipment. For instance like cars, trains, subway, office furniture, etc.

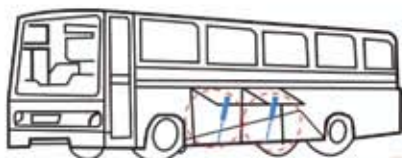
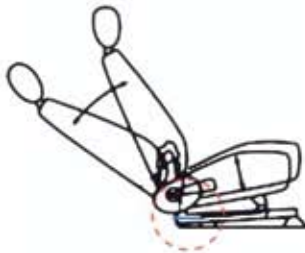
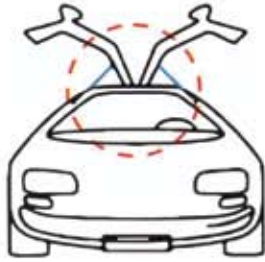
Our products extension force rating is between 30N ~ 3000N, and the applied operating environment temperature is from -40 degree C to 80 degree C.

Our product is widely used around the globe and in this Asia Pacific Region.

Our motto : Professional consultation , high quality and reliability, fast delivery time and long service life span for our gas spring.

Why wait to take reliability to the next level?

Reliable Manufacturing Solutions



GAS SPRING

Reliable Manufacturing Solutions



Gas spring for computer cabinet



Gas spring for luggage rack

Gas spring for luggage cabin



Reliable Manufacturing Solutions



Lockable gas spring for passenger car chair



Lockable gas spring for yacht chair



Lockable gas spring under button control for passenger car chair

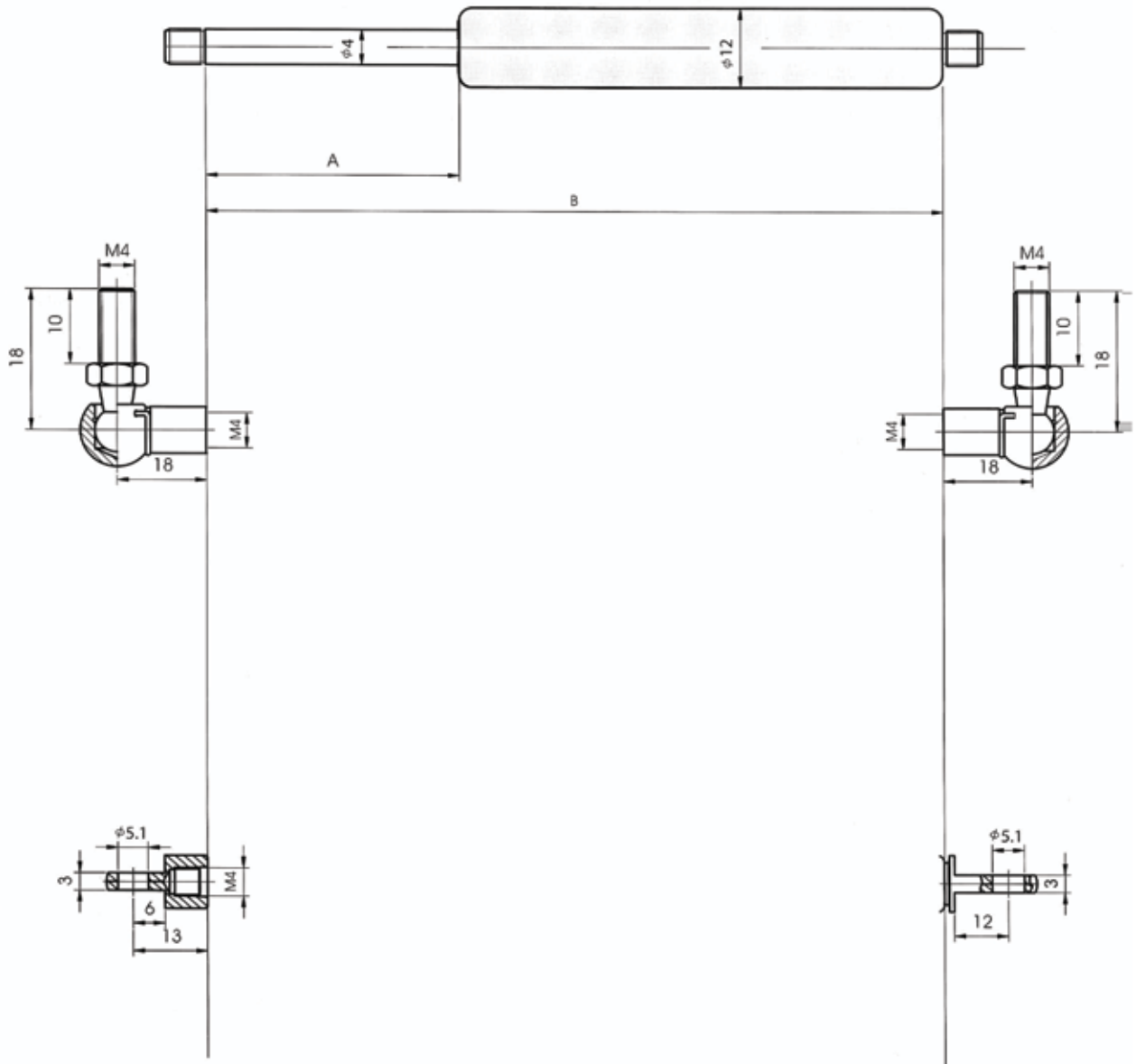


Lockable hydraulic spring for aircraft chair

GAS SPRING

Reliable Manufacturing Solutions

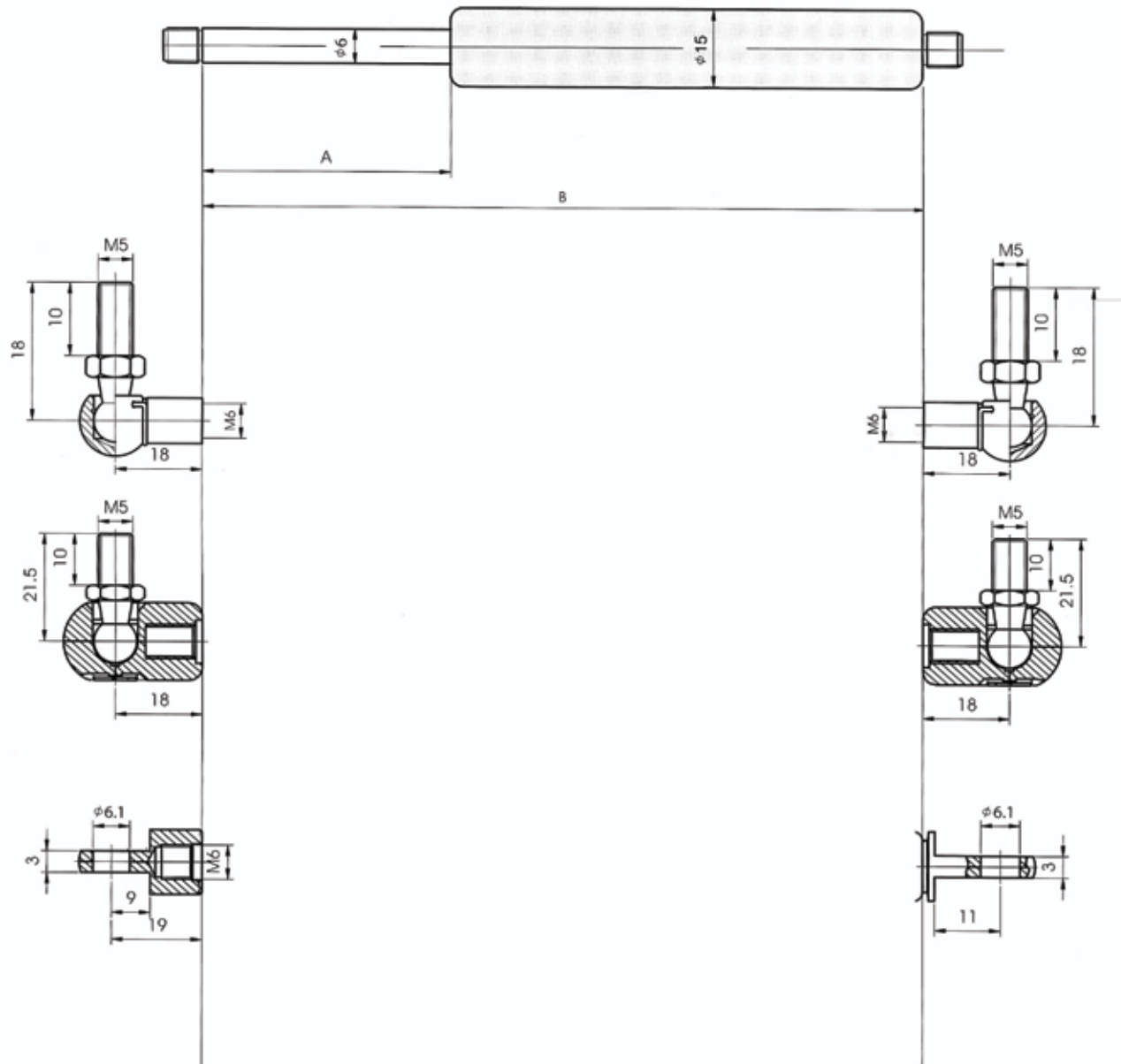
YQ4/12 model



Note :

1. The size abovementioned should apply to $B \geq 2A + 35\text{mm}$;
2. The connecting parts are interchangeable;
3. The force is between 30N ~ 100N.

YQ6/15 model



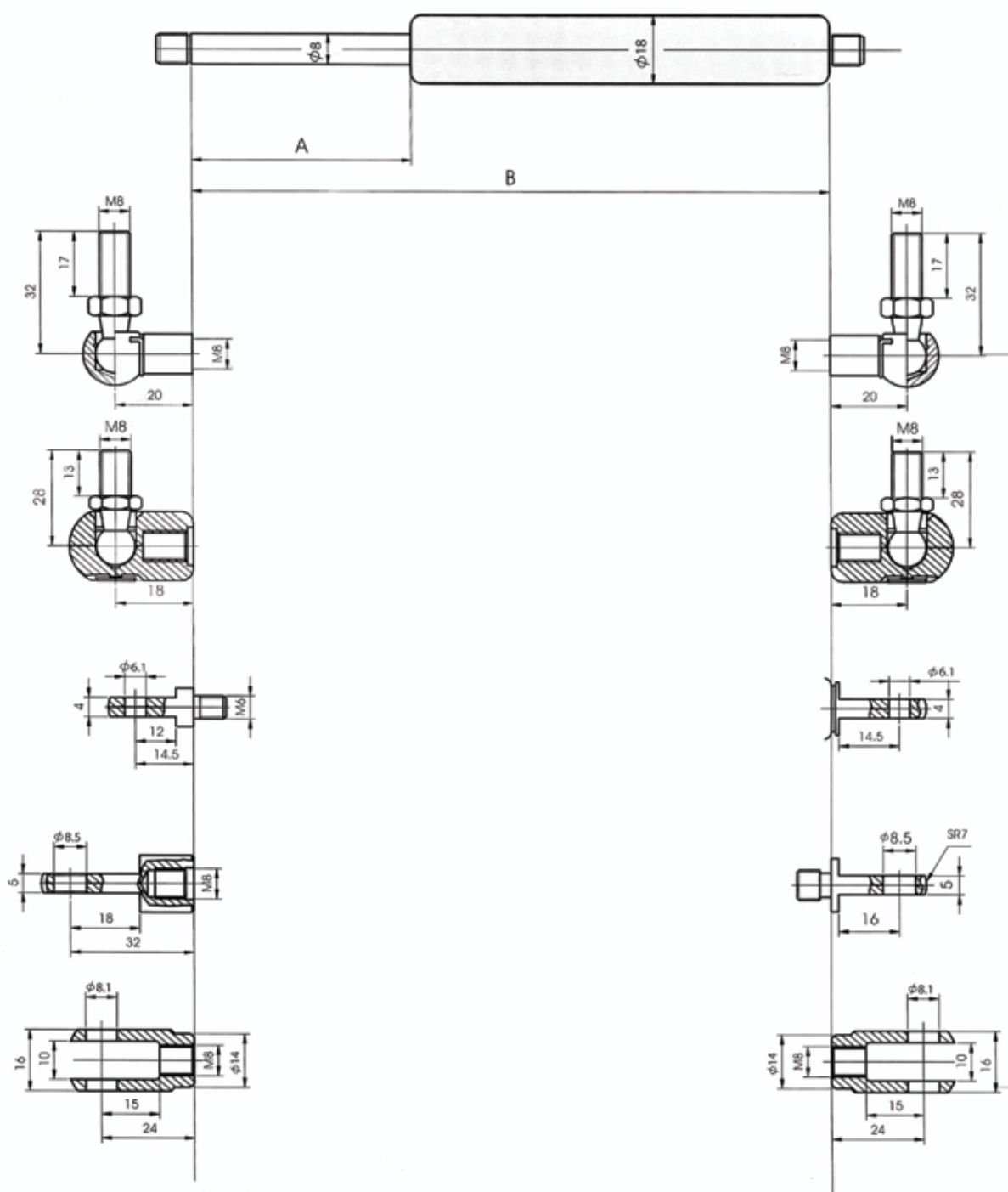
Note :

1. The size abovementioned should apply to $B \geq 2A + 38$ mm;
2. The connecting parts are interchangeable;
3. The force is between 40N ~ 300N.

GAS SPRING

Reliable Manufacturing Solutions

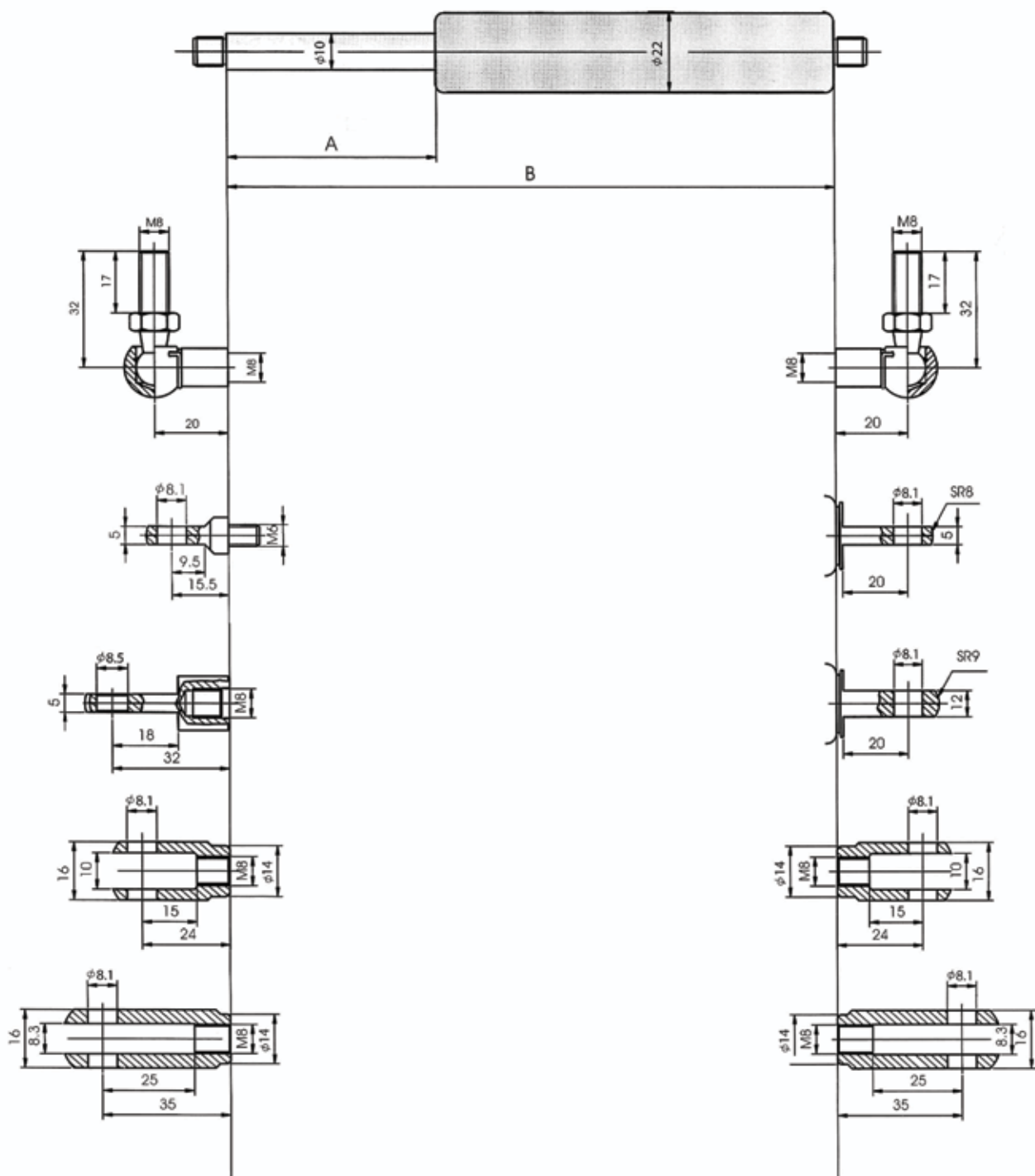
YQ8/18 model



Note :

1. The size abovementioned should apply to $B \geq 2A + 42$ mm;
2. The connecting parts are interchangeable;
3. The force is between 60N ~ 400N.

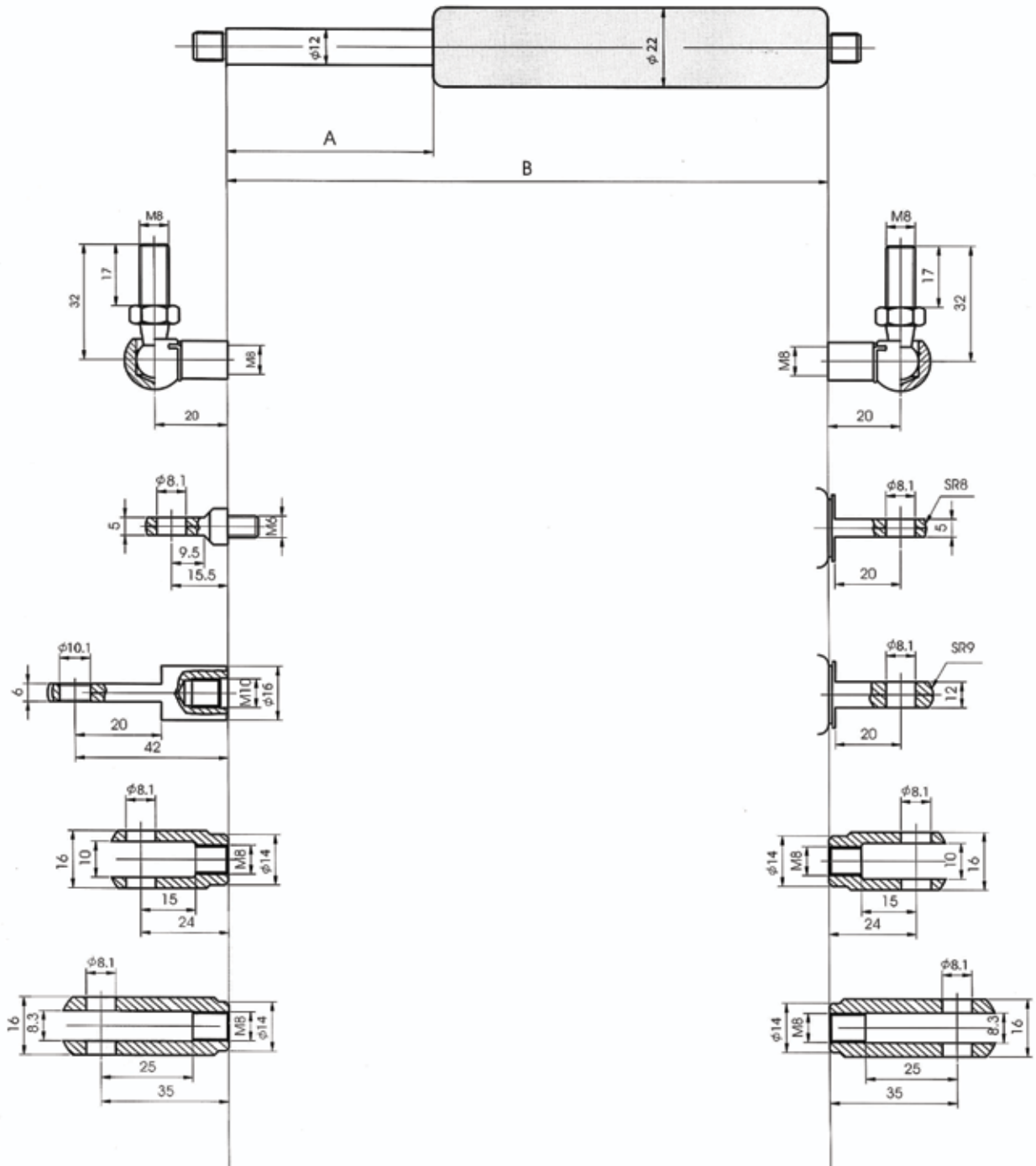
YQ10/22 model



Note :

1. The size abovementioned should apply to $B \geq 2A + 52$ mm;
2. The connecting parts are interchangeable;
3. The force is between 100N ~ 1000N.

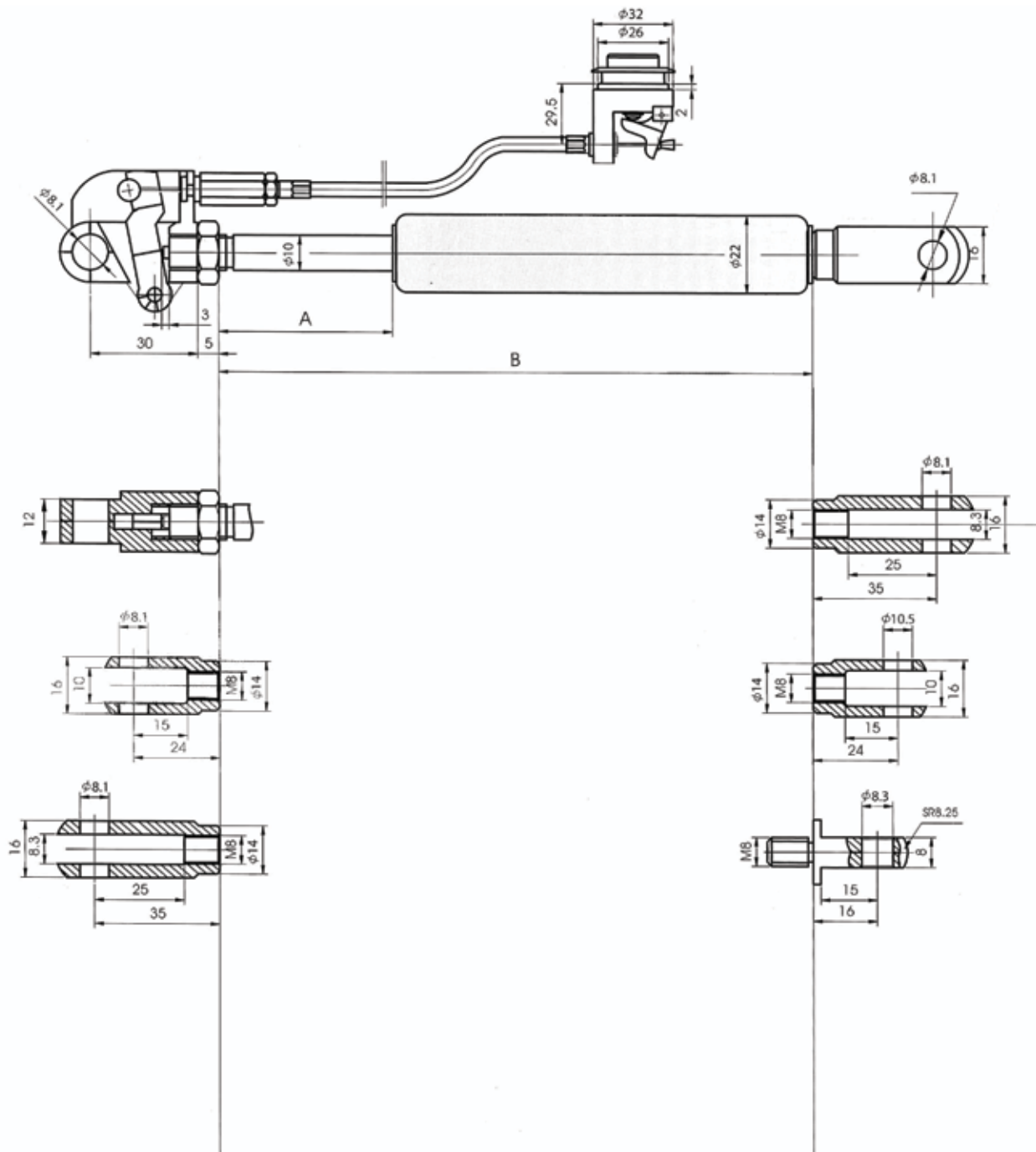
YQ12/22 model



Note :

1. The size abovementioned should apply to $B \geq 2A + 55$ mm;
2. The connecting parts are interchangeable;
3. The force is between 200N ~ 1200N.

JKQ19 model



Note :

1. The size abovementioned should apply to $B \geq 2.6A + 80\text{mm}$;
2. The connecting parts are interchangeable;
3. The force is between 150N ~ 1000N.

GAS SPRING



Reliable Manufacturing Solutions



Peng Cheng Autotech Pte Ltd
Blk 1200 #04-18 Depot Road
Singapore 109675
Tel: 62702518 Fax: 62702189
Website: www.pengcheng.com.sg